



SKT-350

INTERSTATE STEEL

3616 Old Howard County Airport

Big Spring, TX 79720

(432) 263-3725 (Office)

(432) 267-4039 (FAX)

Intestatesteeltexas.com

SKT-350



The SKT (Sequential Kinking Terminal) is an energy absorbing tangent terminal.

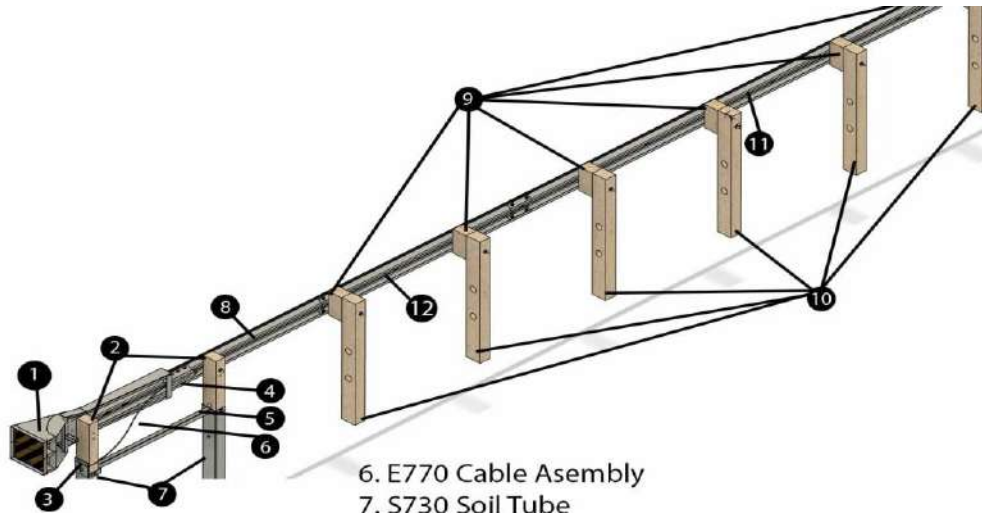
The SKT is 50'-0" long and has 8 breakaway posts. NCHRP-350 APPROVED!

During head-on impacts, the SKT head slides over the W-Beam guardrail. The rail is sequentially kinked or bent as it moves through the head. The kinked guardrail exits the head safely and the vehicle is brought to a controlled stop. When impacted along the side within the length-of-need, the SKT functions like guardrail. The errant vehicle is safely redirected back toward its original travel path.

Post options include steel posts or timber posts. Timber post options include: Type I (2 tubes), Type II (4 tubes), or Type III (8 tubes).

The MSKT's impact head can be used on existing in-place NCHRP 350 SKT systems for maintenance repairs. These systems will need to be maintained for many years to come. By being able to use the MSKT impact head for maintenance of both existing NCHRP 350 systems and new MASH installations, only the MSKT impact head will need to be inventoried. Please note, using a MSKT impact head on an older system does not make that system MASH compliant.

SKT-350 31" Type 1



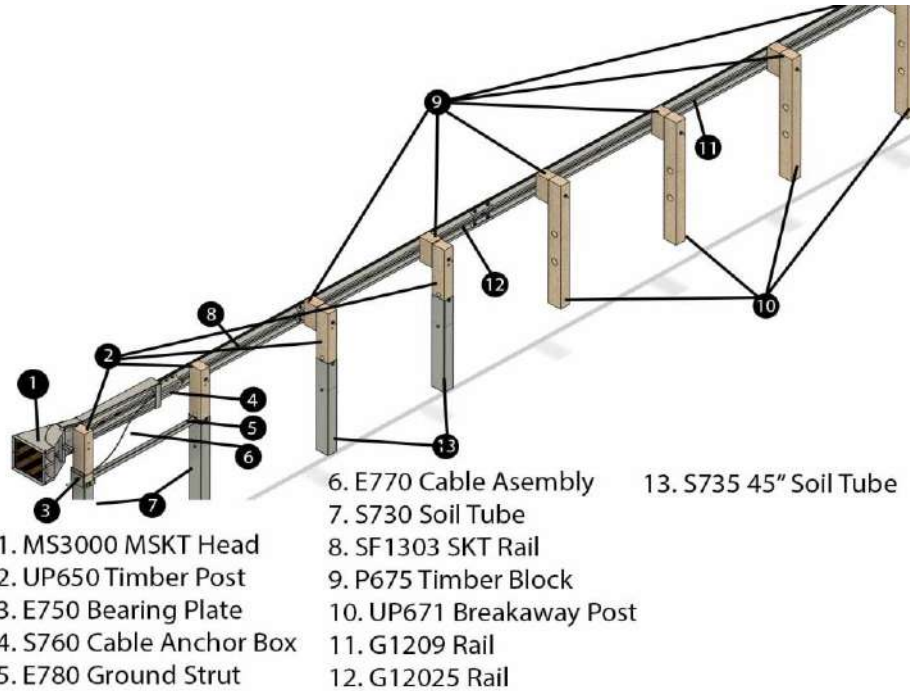
- 1. MS3000 MSKT Head
- 2. UP650 Timber Post
- 3. E750 Bearing Plate
- 4. S760 Cable Anchor Box
- 5. E780 Ground Strut
- 6. E770 Cable Assembly
- 7. S730 Soil Tube
- 8. SF1303 SKT Rail
- 9. P675 Timber Block
- 10. UP671 Breakaway Post
- 11. G1209 Rail
- 12. G12025 Rail

Parts:

Hardware:

Item #:	Description:	Quantity:	Item #:	Description:	Quantity:
MS3000	SKT IMPACT HEAD	1	B580122	5/8" x 1 1/4" HGR SPLICE BOLT	24
E3151	OBJECT MARKER - (18" x 18")	1	B580754	5/8" x 7 1/2" HEX. HD. BOLT	2
SF1303	GUARDRAIL 12/12' 6" SKT Panel	1	B581004	5/8" x 10" HEX. HD. BOLT	2
G12025	GUARDRAIL 12/9' 4-1/2/3' 1-1/2"	1	B581002	5/8" x 10" HGR POST BOLT	1
G1209	GUARDRAIL 12/25/3' 1/2	1	B581802	5/8" x 18" HGR POST BOLT	6
S730	STEEL TUBE - 6" x 8" x 3/16" x 6'-0"	2	N050	5/8" HGR. Nut	35
E740	PIPE SLEEVE - 2" STD. PIPE x 5 1/2"	1	W050	5/8" WASHERS	11
E750	BEARING PLATE - 5/8" x 8" x 8"	1	N100A	1" HEX NUT (ANCHOR CABLE)	2
S760	CABLE ANCHOR BOX (SKT)	1	W100A	1" WASHER (ANCHOR CABLE)	2
E770	CABLE ASSEMBLY	1	E350	3/8" x 3" LAG SCREW	2
E780	GROUNDING STRUT	1	CBH	Bag of Shoulder Bolts (8 bolts, 8 nuts, 8 washers)	1
UP650	WOOD POSTS - 5 1/2" x 7 1/2" x 45"	2	CT-100 ST	STEEL CABLE TIE	1
UP671	WOOD CRT POSTS - 6" x 8" x 6'-0"	6			
P675	WOOD BLOCKOUTS - 6" x 8" x 14"	6			

SKT-350 31" Type 2



- 1. MS3000 MSKT Head
- 2. UP650 Timber Post
- 3. E750 Bearing Plate
- 4. S760 Cable Anchor Box
- 5. E780 Ground Strut

- 6. E770 Cable Assembly
- 7. S730 Soil Tube
- 8. SF1303 SKT Rail
- 9. P675 Timber Block
- 10. UP671 Breakaway Post
- 11. G1209 Rail
- 12. G12025 Rail

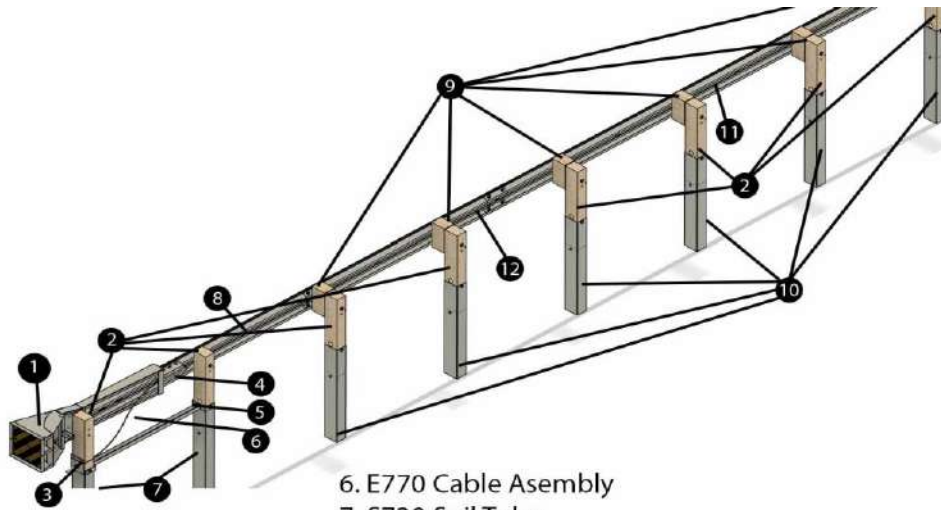
- 13. S735 45" Soil Tube

Parts:

Hardware:

Item #:	Description:	Quantity:	Item #:	Description:	Quantity:
MS3000	SKT IMPACT HEAD	1	B580122	5/8" x 1 1/4" HGR SPLICE BOLT	24
E3151	OBJECT MARKER - (18" x 18")	1	B580754	5/8" x 7 1/2" HEX. HD. BOLT	4
SF1303	GUARDRAIL 12/12' 6" SKT Panel	1	B581004	5/8" x 10" HEX. HD. BOLT	4
G12025	GUARDRAIL 12/9' 4-1/2/3' 1-1/2"	1	B581002	5/8" x 10" HGR POST BOLT	1
G1209	GUARDRAIL 12/25/3' 1/2"	1	B581802	5/8" x 18" HGR POST BOLT	6
S730	STEEL TUBE - 6" x 8" x 1/8" x 6'-0"	2	N050	5/8" HGR NUT	39
S735	STEEL TUBE - 6" x 8" x 1/8" x 4'-6"	2	W050	5/8" WASHERS	15
E740	PIPE SLEEVE - 2" STD. PIPE x 5 1/2"	1	N100A	1" HEX NUT (ANCHOR CABLE)	2
E750	BEARING PLATE - 5/8" x 8" x 8"	1	W100A	1" WASHER (ANCHOR CABLE)	2
S760	SKT CABLE ANCHOR BOX (SKT)	1	E350	3/8" x 3" LAG SCREW	2
E770	CABLE ASSEMBLY	1	CBH	Bag of Shoulder Bolts (8 bolts, 8 nuts, 8 washers)	1
E780	GROUNDING STRUT	1	CT-100 ST	STEEL CABLE TIE	1
UP650	WOOD POSTS - 5 1/2" x 7 1/2" x 45"	4			
UP671	WOOD CRT POSTS - 6" x 8" x 6'-0"	4			
P675	WOOD BLOCKOUTS - 6" x 8" x 14"	6			

SKT-350 31" Type 3



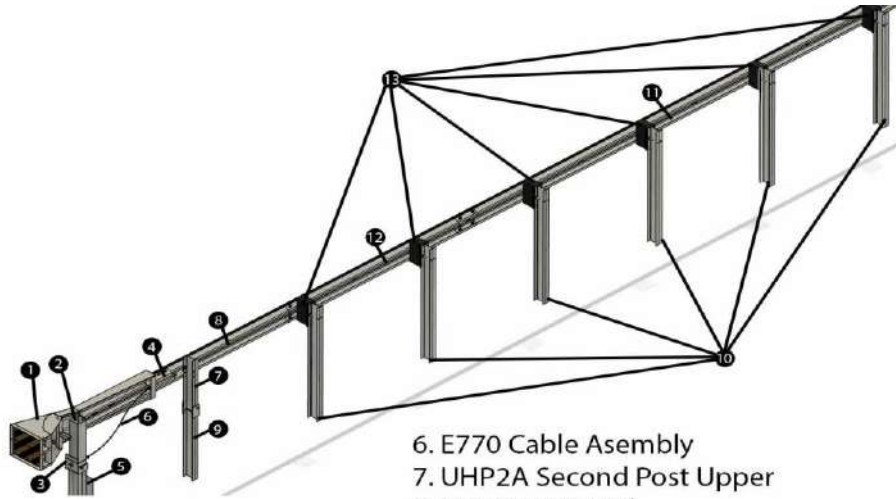
- 1. MS3000 MSKT Head
- 2. UP650 Timber Post
- 3. E750 Bearing Plate
- 4. S760 Cable Anchor Box
- 5. E780 Ground Strut
- 6. E770 Cable Assembly
- 7. S730 Soil Tube
- 8. SF1303 SKT Rail
- 9. P675 Timber Block
- 10. S735 45" Soil Tube
- 11. G1209 Rail
- 12. G12025 Rail

Parts:

Hardware:

Item #:	Description:	Quantity:	Item #:	Description:	Quantity:
MS3000	SKT IMPACT HEAD	1	B580122	5/8" x 1 1/4" HGR SPLICE BOLT	24
E3151	OBJECT MARKER - (18" x 18")	1	B580754	5/8" x 7 1/2" HEX. HD. BOLT	8
SF1303	GUARDRAIL 12/12' 6" SKT Panel	1	B581004	5/8" x 10" HEX. HD. BOLT	8
G12025	GUARDRAIL 12/9' 4-1/2/3' 1-1/2"	1	B581002	5/8" x 10" HGR POST BOLT	1
G1209	GUARDRAIL 12/25/3' 1/2"	1	B581802	5/8" x 18" HGR POST BOLT	6
S730	STEEL TUBE - 6" x 8" x 1/8" x 6'-0"	2	N050	5/8" HGR NUT	47
S735	STEEL TUBE - 6" x 8" x 1/8" x 4'-6"	6	W050	5/8" WASHERS	23
E740	PIPE SLEEVE - 2" STD. PIPE x 5 1/2"	1	N100A	1" HEX NUT (ANCHOR CABLE)	2
E750	BEARING PLATE - 5/8" x 8" x 8"	1	W100A	1" WASHER (ANCHOR CABLE)	2
S760	CABLE ANCHOR BOX (SKT)	1	E350	3/8" x 3" LAG SCREW	2
E770	CABLE ASSEMBLY	1	CBH	Bag of Shoulder Bolts (8 bolts, 8 nuts, 8 washers)	1
E780	GROUNDING STRUT	1	CT-100 ST	STEEL CABLE TIE	1
UP650	WOOD POSTS - 5 1/2" x 7 1/2" x 45"	8			
P675	WOOD BLOCKOUTS - 6" x 8" x 14"	6			

SKT-350 31" Steel Post



- 1. MS3000 MSKT Head
- 2. TPHP1A First Post Upper
- 3. E750 Bearing Plate
- 4. S760 Cable Anchor Box
- 5. TPHP1B First Post Lower

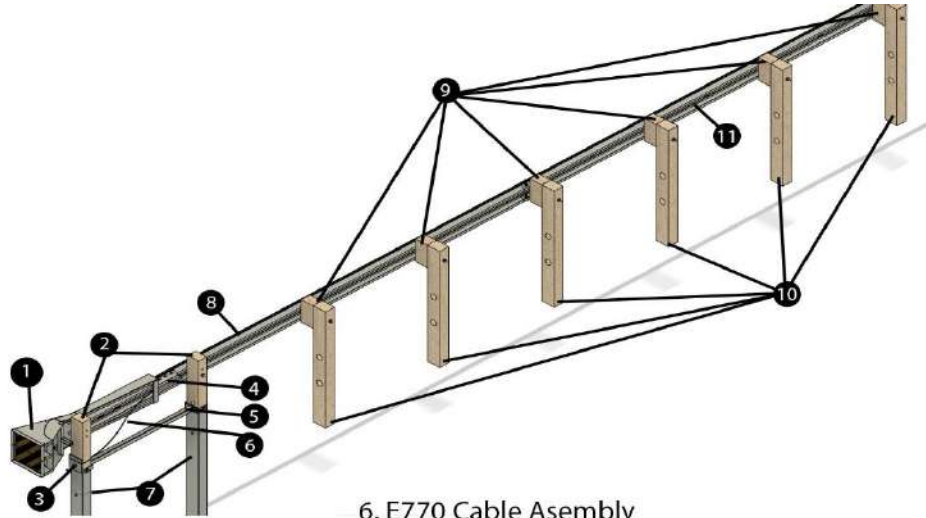
- 6. E770 Cable Assembly
- 7. UHP2A Second Post Upper
- 8. SF 1303 SKT Rail
- 9. Second Post Lower
- 10. P621 Steel Post
- 11. G1209 Rail
- 12. G12025 Rail
- 13. CBSP-14 Composite Blocks

Parts:

Hardware:

Item #:	Description:	Quantity:	Item #:	Description:	Quantity:
MS3000	SKT IMPACT HEAD	1	B5160104A	5/16 X 1 HEX BOLT GR 5	2
E3151	OBJECT MARKER - (18" x 18")	1	B580122	5/8" x 1 1/4" HGR SPLICE BOLT	25
SF1303	GUARDRAIL 12/12' 6" SKT Panel	1	B580904A	5/8" x 9" HEX. HD. BOLT GR. 5	1
G12025	GUARDRAIL 12/9' 4-1/2' 3' 1-1/2"	1	B340854A	3/4 X 8 1/2" HEX HEAD BOLT GR. 5	1
G1209	GUARDRAIL 12/25' 3' 1/2	1	B581002	5/8" x 10" HGR POST BOLT	6
E750	BEARING PLATE - 5/8" x 8" x 8"	1	N0516	5/16 HEX NUTS	2
S760	CABLE ANCHOR BOX (SKT)	1	N050	5/8" HGR. NUTS	31
E770	CABLE ASSEMBLY	1	N055	5/8" HEX NUTS	1
TPHP1A	TWO POST HINGE POST # 1 UPPER	1	N030	3/4" HEX NUTS	1
TPHP1B	TWO POST HINGE POST # 1 LOWER	1	W0516	5/16 WASHERS	4
UHP2A	UNIVERSAL HINGE POST # 2 UPPER	1	W050	5/8" WASHERS	9
HP3B	HINGE POST # 3 LOWER	1	N100A	1" HEX NUT (ANCHOR CABLE)	2
P621	STEEL LINE POST	6	W100A	1" WASHER (ANCHOR CABLE)	2
CBSP-14	STEELCOMPOSIT BLOCK 14"	6	CBH	Bag of Shoulder Bolts (8 bolts, 8 nuts, 8 washers)	1
			CT-100 ST	STEEL CABLE TIE	1

SKT-350 28" Type 1



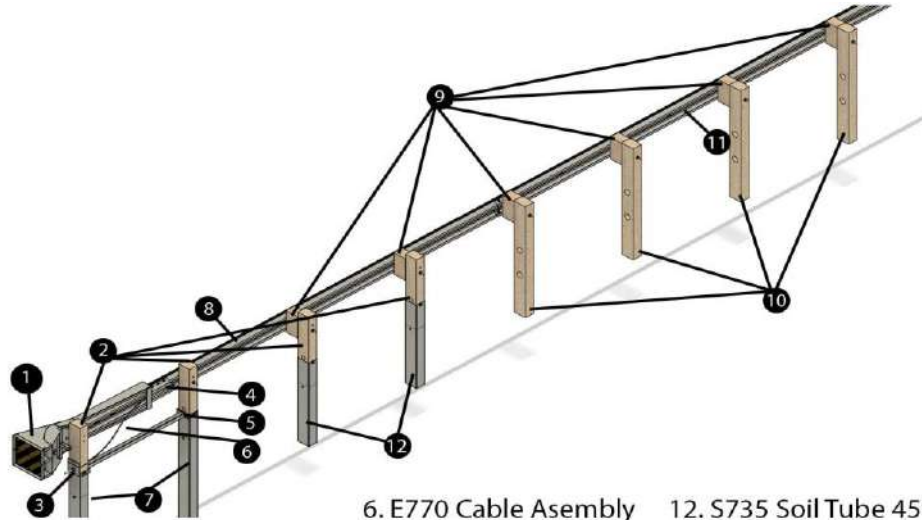
- 1. MS3000 MSKT Head
- 2. UP650 Timber Post
- 3. E750 Bearing Plate
- 4. S760 Cable Anchor Box
- 5. E780 Ground Strut
- 6. E770 Cable Assembly
- 7. S730 Soil Tube
- 8. SF1305 SKT Rail
- 9. P675 Timber Block
- 10. UP671 Timber Post
- 11. G1209 Rail

Parts:

Hardware:

Item #:	Description:	Quantity:	Item #:	Description:	Quantity:
MS3000	SKT IMPACT HEAD	1	B580122	5/8" x 1 1/4" HGR SPLICE BOLT	16
E3151	OBJECT MARKER - (18" x 18")	1	B580754	5/8" x 7 1/2" HEX. HD. BOLT	2
SF1305	GUARDRAIL 12//25/6' 3" SKT Panel	1	B581004	5/8" x 10" HEX. HD. BOLT	2
G1209	GUARDRAIL 12/25/6' 3"	1	B581002	5/8" x 10" HGR POST BOLT	1
S730	STEEL TUBE - 6" x 8" x 3/16" x 6'-0"	2	B581802	5/8" x 18" HGR POST BOLT	6
E740	PIPE SLEEVE - 2" STD. PIPE x 5 1/2"	1	N050	5/8" HGR. Nut	27
E750	BEARING PLATE - 5/8" x 8" x 8"	1	W050	5/8" WASHERS	11
S760	CABLE ANCHOR BOX (SKT)	1	N100A	1" HEX NUT (ANCHOR CABLE)	2
E770	CABLE ASSEMBLY	1	W100A	1" WASHER (ANCHOR CABLE)	2
E780	GROUNDING STRUT	1	E350	3/8" x 3" LAG SCREW	2
UP650	WOOD POSTS - 5 1/2" x 7 1/2" x 45"	2	CBH	Bag of Shoulder Bolts (8 bolts, 8 nuts, 8 washers)	1
UP671	WOOD CRT POSTS - 6" x 8" x 6'-0"	6	CT-100 ST	STEEL CABLE TIE	1
P675	WOOD BLOCKOUTS - 6" x 8" x 14"	6			

SKT-350 28" Type 2



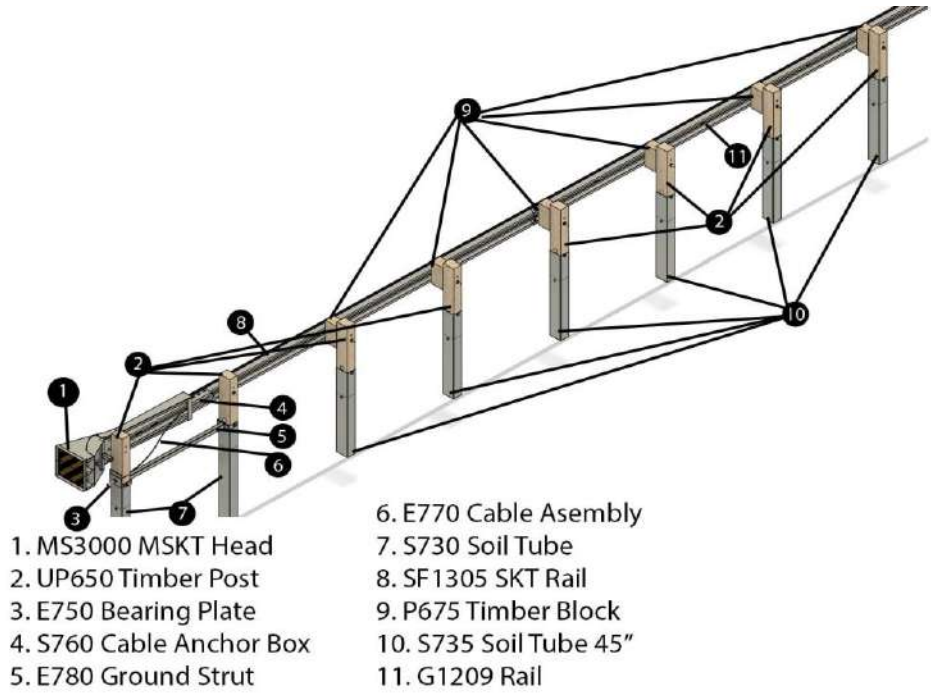
- 1. MS3000 MSKT Head
- 2. UP650 Timber Post
- 3. E750 Bearing Plate
- 4. S760 Cable Anchor Box
- 5. E780 Ground Strut
- 6. E770 Cable Assembly
- 7. S730 Soil Tube
- 8. SF1305 SKT Rail
- 9. P675 Timber Block
- 10. UP671 Timber Post
- 11. G1209 Rail
- 12. S735 Soil Tube 45"

Parts:

Hardware:

Item #:	Description:	Quantity:	Item #:	Description:	Quantity:
MS3000	SKT IMPACT HEAD	1	B580122	5/8" x 1 1/4" HGR SPLICE BOLT	16
E3151	OBJECT MARKER - (18" x 18")	1	B580754	5/8" x 7 1/2" HEX. HD. BOLT	4
SF1305	GUARDRAIL 12//25/6' 3" SKT Panel	1	B581004	5/8" x 10" HEX. HD. BOLT	4
G1209	GUARDRAIL 12/25/6' 3"	1	B581002	5/8" x 10" HGR POST BOLT	1
S730	SOIL TUBE - 6" x 8" x 3/16" x 6'-0"	2	B581802	5/8" x 18" HGR POST BOLT	6
S735	SOIL TUBE - 6" x 8" x 1/8" x 4' 6"	2	N050	5/8" HGR. Nut	31
E740	PIPE SLEEVE - 2" STD. PIPE x 5 1/2"	1	W050	5/8" WASHERS	15
E750	BEARING PLATE - 5/8" x 8" x 8"	1	N100A	1" HEX NUT (ANCHOR CABLE)	2
S760	CABLE ANCHOR BOX (SKT)	1	W100A	1" WASHER (ANCHOR CABLE)	2
E770	CABLE ASSEMBLY	1	E350	3/8" x 3" LAG SCREW	2
E780	GROUNDING STRUT	1	CBH	Bag of Shoulder Bolts (8 bolts, 8 nuts, 8 washers)	1
UP650	WOOD POSTS - 5 1/2" x 7 1/2" x 45"	4	CT-100 ST	STEEL CABLE TIE	1
UP671	WOOD CRT POSTS - 6" x 8" x 6'-0"	4			
P675	WOOD BLOCKOUTS - 6" x 8" x 14"	6			

SKT-350 28" Type 3



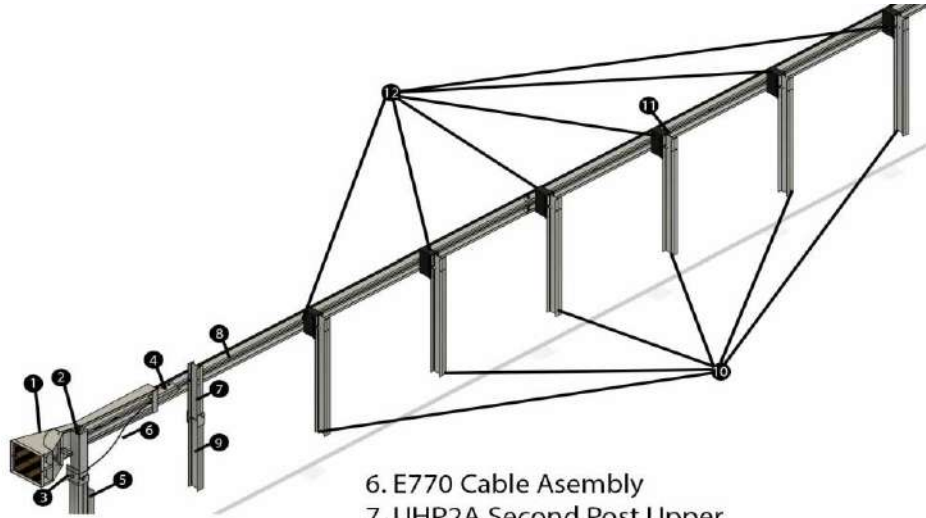
- 1. MS3000 MSKT Head
- 2. UP650 Timber Post
- 3. E750 Bearing Plate
- 4. S760 Cable Anchor Box
- 5. E780 Ground Strut
- 6. E770 Cable Assembly
- 7. S730 Soil Tube
- 8. SF1305 SKT Rail
- 9. P675 Timber Block
- 10. S735 Soil Tube 45"
- 11. G1209 Rail

Parts:

Hardware:

Item #:	Description:	Quantity:	Item #:	Description:	Quantity:
MS3000	SKT IMPACT HEAD	1	B580122	5/8" x 1 1/4" HGR SPLICE BOLT	16
E3151	OBJECT MARKER - (18" x 18")	1	B580754	5/8" x 7 1/2" HEX. HD. BOLT	8
SF1305	GUARDRAIL 12//25/6' 3" SKT Panel	1	B581004	5/8" x 10" HEX. HD. BOLT	8
G1209	GUARDRAIL 12//25/3' 1/2"	1	B581002	5/8" x 10" HGR POST BOLT	1
S730	SOIL TUBE - 6" x 8" x 3/16" x 6'-0"	2	B581802	5/8" x 18" HGR POST BOLT	6
S735	SOIL TUBE - 6" x 8" x 1/8" x 4' 6"	6	N050	5/8" HGR. Nut	39
E740	PIPE SLEEVE - 2" STD. PIPE x 5 1/2"	1	W050	5/8" WASHERS	23
E750	BEARING PLATE - 5/8" x 8" x 8"	1	N100A	1" HEX NUT (ANCHOR CABLE)	2
S760	CABLE ANCHOR BOX (SKT)	1	W100A	1" WASHER (ANCHOR CABLE)	2
E770	CABLE ASSEMBLY	1	E350	3/8" x 3" LAG SCREW	2
E780	GROUNDING STRUT	1	CBH	Bag of Shoulder Bolts (8 bolts, 8 nuts, 8	1
UP650	WOOD POSTS - 5 1/2" x 7 1/2" x 45"	8	CT-100 ST	STEEL CABLE TIE	1
P675	WOOD BLOCKOUTS - 6" x 8" x 14"	6			

SKT-350 28" Steel Post



- 1. MS3000 MSKT Head
- 2. TPHP1A First Post Upper
- 3. E750 Bearing Plate
- 4. S760 Cable Anchor Box
- 5. TPHP1B First Post Lower

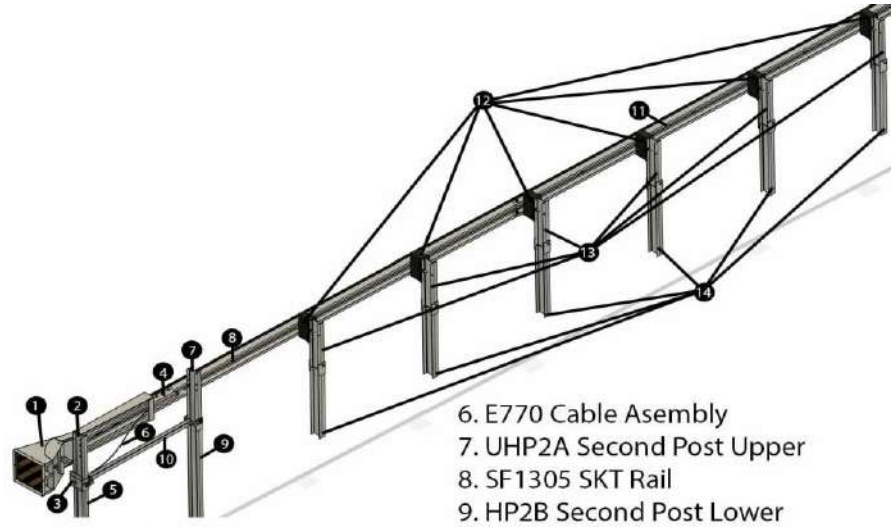
- 6. E770 Cable Assembly
- 7. UHP2A Second Post Upper
- 8. SF1305 SKT Rail
- 9. Second Post Lower
- 10. P621 Steel Post
- 11. G1209 Rail
- 12. CBSP-14 Composite Block

Parts:

Hardware:

Item #:	Description:	Quantity:	Item #:	Description:	Quantity:
MS3000	SKT IMPACT HEAD	1	B5160104A	5/16 X 1 HEX BOLT GR.5	2
E3151	OBJECT MARKER - (18" x 18")	1	B580122	5/8" x 1 1/4" HGR SPLICE BOLT	17
SF1305	GUARDRAIL 12//25/6' 3" SKT Panel	1	B580904A	5/8" x 9" HEX. HD. BOLT GR. 5	1
G1209	GUARDRAIL 12/25/3' 1/2"	1	B340854A	3/4 X 8 1/2" HEX HEAD BOLT GR. 5	1
E750	BEARING PLATE - 5/8" x 8" x 8"	1	B581002	5/8" x 10" HGR POST BOLT	6
S760	CABLE ANCHOR BOX (SKT)	1	N0516	5/16 HEX NUTS	2
E770	CABLE ASSEMBLY	1	N050	5/8" HGR. NUTS	23
TPHP1A	TWO POST HINGE POST # 1 UPPER	1	N055	5/8" HEX NUTS	1
TPHP1B	TWO POST HINGE POST # 1 LOWER	1	N030	3/4" HEX NUTS	1
UHP2A	UNIVERSAL HINGE POST # 2 UPPER	1	W0516	5/16 WASHERS	4
HP3B	HINGE POST # 3 LOWER	1	W050	5/8" WASHERS	9
P621	STEEL LINE POST	6	N100A	1" HEX NUT (ANCHOR CABLE)	2
CBSP-14	STEELCOMPOSIT BLOCK 14"	6	W100A	1" WASHER (ANCHOR CABLE)	2
			CBH	Bag of Shoulder Bolts (8 bolts, 8 nuts, 8	1
			CT-100 ST	STEEL CABLE TIE	1

SKT-350 28" Hinged Breakaway Post System



- 1. MS3000 MSKT Head
- 2. TPHP1A First Post Upper
- 3. E750 Bearing Plate
- 4. S760 Cable Anchor Box
- 5. TPHP1B First Post Lower

- 6. E770 Cable Assembly
- 7. UHP2A Second Post Upper
- 8. SF1305 SKT Rail
- 9. HP2B Second Post Lower
- 10. S785
- 11. G1209 Rail
- 12. CBSP-14 Composite Block
- 13. HP3A Hinge Post 3 Upper
- 14. HP3B Hinge Post 3 Lower

Parts:

Hardware:

Item #:	Description:	Quantity:	Item #:	Description:	Quantity:
MS3000	SKT IMPACT HEAD	1	B580122	5/8" x 1 1/4" HGR SPLICE BOLT	17
E3151	OBJECT MARKER - (18" x 18")	1	B580904A	5/8" x 9" HEX. HD. BOLT GR. 5	1
SF1305	GUARDRAIL 12//25/6' 3" SKT Panel	1	B581002	5/8" x 10" HGR POST BOLT	6
G1209	GUARDRAIL 12/25/6' 3"	1	B340854A	3/4" x 8 1/2" HEX HEAD BOLT GR. 5	7
E750	BEARING PLATE - 5/8" x 8" x 8"	1	B5160304A	5/16" x 3" HEX HEAD BOLT GR. 5	2
S760	CABLE ANCHOR BOX (SKT)	1	N050	5/8" HGR. NUT	23
E770	CABLE ASSEMBLY	1	N055	5/8" HEX NUT	1
S785	GROUNDING STRUT FOR HINGE POST	1	W050	5/8" WASHERS	9
UHP1A	HINGE POST #1 UPPER	1	N030	3/4" HEX NUT	7
HP1B	HINGE POST #1 LOWER	1	W030	3/4" WASHER	2
UHP2A	UNIVERSAL HINGE POST #2 UPPER	1	N014	1/4" NUT	2
HP2B	HINGE POST #2 LOWER	1	W014	1/4" WASHER	4
HP3A	HINGE POST #3 UPPER	6	N100A	1" HEX NUT (ANCHOR CABLE)	2
HP3B	HINGE POST #3 LOWER	6	W100A	1" WASHER (ANCHOR CABLE)	2
CBSP-14	COMPOSITE PLOCK FOR STEEL POST	6	CBH	Bag of Shoulder Bolts (8 bolts, 8 nuts, 8 washers)	1
			CT-100 ST	STEEL CABLE TIE	1

SKT-350 Parts:

MS3000

SKT Impact Head



E3151

Object Marker

18" X 18"





SKT-350 Parts:

	Guardrail for 31" Standard			Guardrail for 28" Standard	
Item	Length	Hole Spacing	ITEM	Length	Hole Spacing
SF1303	12' 6"	6' 3"	SF1305	25'	6' 3"
G12025	9' 4.5"	3' 1.5"	G1209	25'	3' 1.5"
G1209	25'	3' 1.5"	G1205	25'	6' 3"



SF 1303

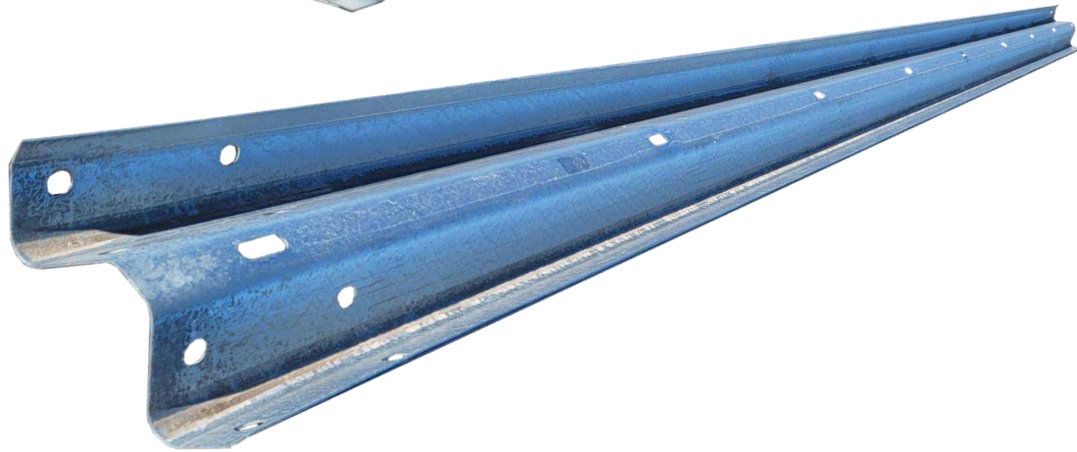
SF1305

12 / 12'6" / 6'3"

12 / 25' / 6'3"

G1209

12 / 25' / 3' 1.5"



G12025

12 / 9' 4-1/2" / 3' 1-1/2"

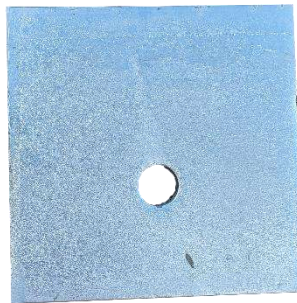


SKT-350 Parts:



E740

Pipe Sleeve



E750

Bearing Plate

5/8" x 8" x 8"



S760

Cable Anchor Box



E770

Cable Assembly



SKT-350 Parts:

UP650

Universal BCT Post
45"



UP671

Universal CRT Post
6'

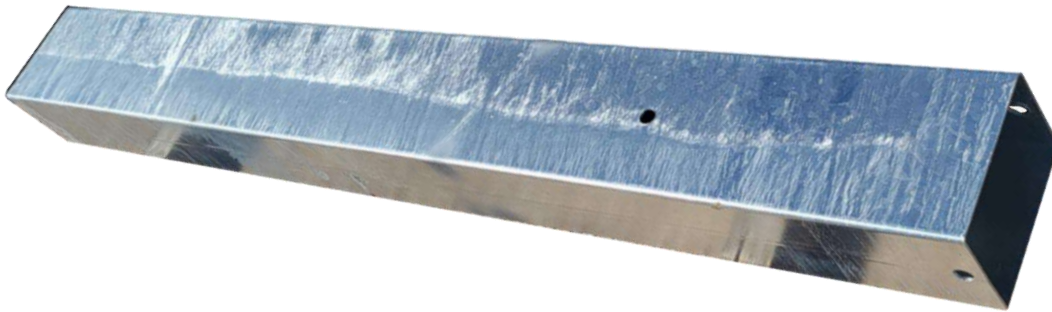


P675

Timber Block
6x8x14"



SKT-350 Parts:



S730

Soil Tube

6x8x1/8" x 6'



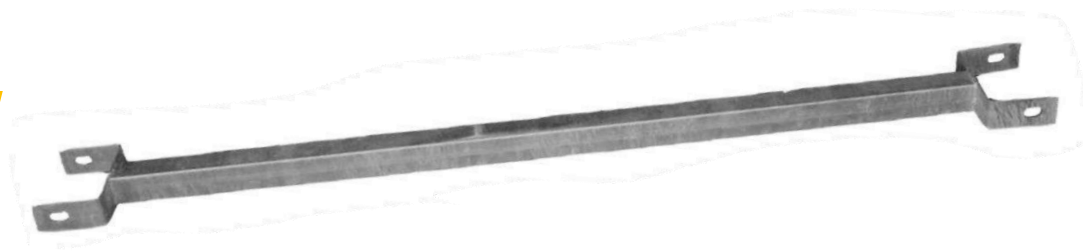
S735

Soil Tube

6x8x1/8" x 4'6"

E780

Ground Line Strut



S785

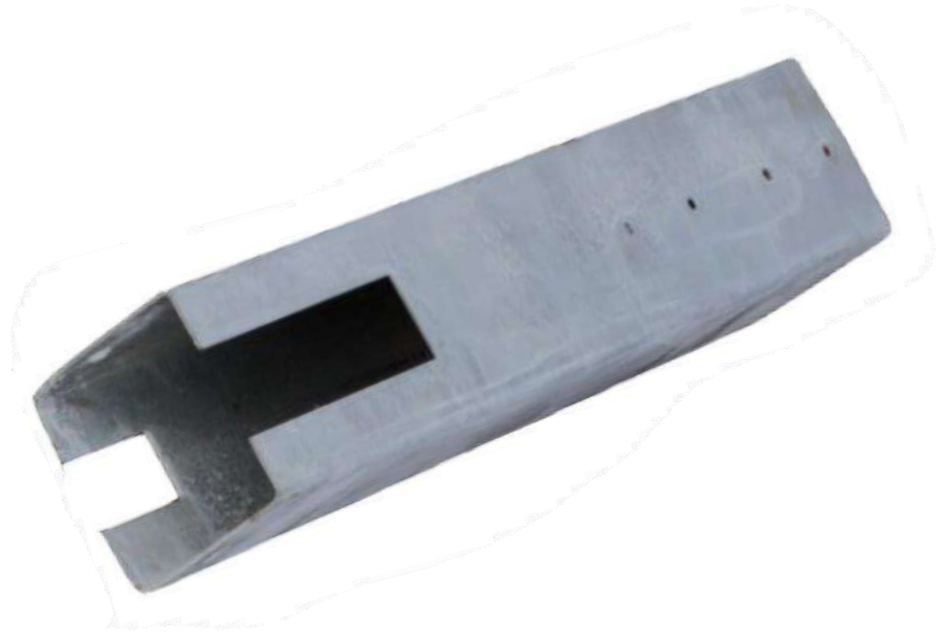
Steel Hinge Post
Strut



SKT-350 Parts:

TPHP1A

Two Post Hinge Post
#1 Upper



TPHP1B

Two Post Hinge Post
#1 Lower



SKT-350 Parts:

UHP1A

Universal Hinge Post

#1 Upper

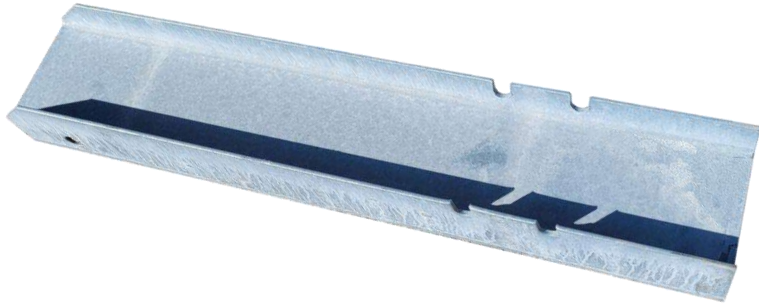
HP1B

Hinge Post Hinge Post

#1 Lower



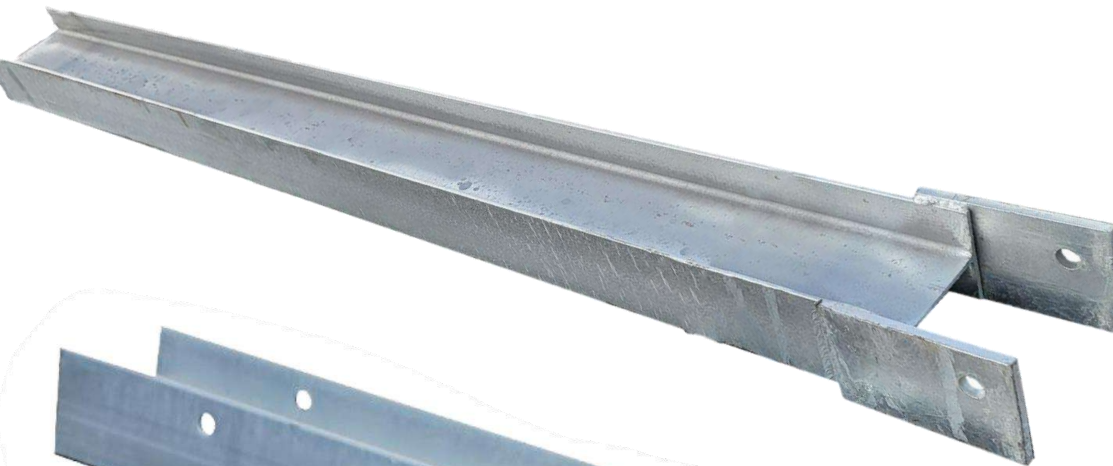
SKT-350 Parts:



UHP2A

Universal Hinge Post

#2 Upper



HP2B*

Hinge Post

#2 Lower



HP3A*

Hinge Post

#3 Upper



HP3B

Hinge Post

#3 Lower

* Used Only in Maintenance Jobs

SKT-350 Parts:



P621

Steel Line Post



CBSP-14

Steel Post Composite

Block 14"

Hardware

SKT-350 Hardware:

	B5160104A	5/16 X 1 HEX BOLT GR.5
	B580122	5/8" x 1 1/4" HGR SPLICE BOLT
	B580754	5/8" x 7 1/2" HEX. HD. BOLT
	B580904A	5/8" x 9" HEX. HD. BOLT GR. 5
	B581004	5/8" x 10" HEX. HD. BOLT
	B581002	5/8" x 10" HGR POST BOLT
	B581802	5/8" x 18" HGR POST BOLT
	B340854A	3/4" x 8 1/2" HEX HEAD BOLT GR. 5

SKT-350 Hardware:

	B5160304A	5/16" x 3" HEX HEAD BOLT GR. 5
	N0516	5/16 HEX NUTS
	W0516	5/16 WASHERS
	N050	5/8" HGR. NUT
	N055	5/8" HEX NUT
	W050	5/8" WASHERS
	N030	3/4" HEX NUT

SKT-350 Hardware:

	W030	3/4" WASHER
	N014	1/4" NUT
	W100A	1" WASHER (ANCHOR CABLE)
	E350	3/8" x 3" LAG SCREW
	CBH	Bag of Shoulder Bolts (8 bolts, 8 nuts, 8 washers)
	CT-100 ST	STEEL CABLE TIE

Contact Us

If you have any questions or need to place an order, don't hesitate to contact our office.

Phone: (432) 263-3725

Fax: (432) 267-4039

Email:

info@interstatesteeltexas.com

www.interstatesteeltexas.com



Kothmann Enterprises
DBA Interstate Steel
3616 Old Howard County Airport
Big Spring, TX 79720