



# Downstream Anchor Terminal

INTERSTATE STEEL

3616 Old Howard County Airport

Big Spring, TX 79720

(432) 263-3725 (Office)

(432) 267-4039 (FAX)

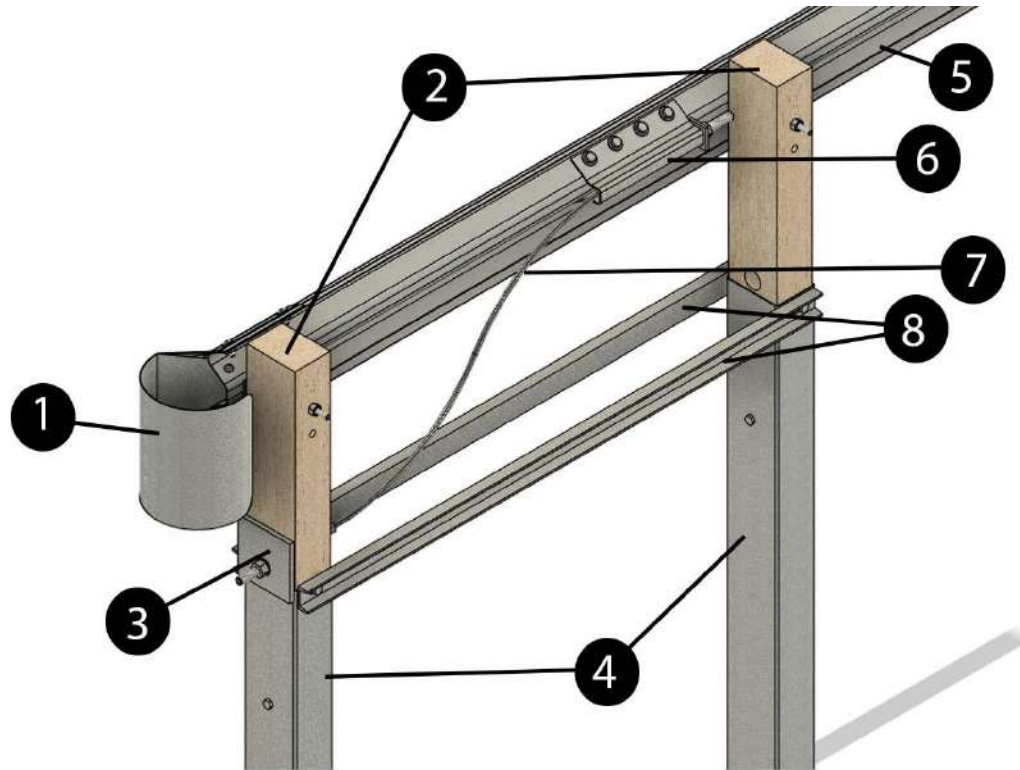
[Intestatesteeltexas.com](http://Intestatesteeltexas.com)

# Downstream Anchor Terminal



The Downstream Anchor Terminal (DAT) system is a non-proprietary design for anchoring 31" rail. It is not intended to be hit head on and therefore should only be used on the trailing end of a piece of guardrail.

## DAT System Diagram:



- |                              |                           |
|------------------------------|---------------------------|
| 1. T503 Buffered end Section | 5. G12025TR Terminal Rail |
| 2. UP650 45" Wood Posts      | 6. D760 Dat Anchor Box    |
| 3. E750 Bearing Plate        | 7. E770 Cable Assembly    |
| 4. S730 Soil Tube            | 8. D780 Channel Struts    |

## DAT System Bill of Materials:

### Parts:

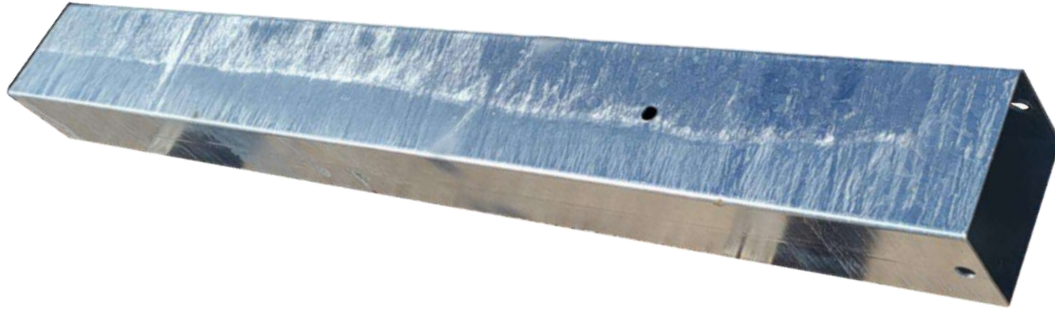
| <b>Item #:</b> | <b>Description:</b>       | <b>Quantity:</b> |
|----------------|---------------------------|------------------|
| S730           | SOIL TUBE 6'              | 2                |
| UP650          | UNIVERSAL TIMBER POST 45" | 2                |
| G12025TR       | TERMINAL RAIL ELEMENT     | 1                |
| DAT-SB         | SHELF ANGLE BRACKET       | 1                |
| E740           | PIPE SLEEVE               | 1                |
| E750           | BEARING PLATE             | 1                |
| D760           | CABLE ANCHOR BRACKET      | 1                |
| E770           | CABLE ASSEMBLY            | 1                |
| D780           | CHANNEL STRUT             | 2                |
| T503           | BUFFER END SECTION        | 1                |

### Hardware:

| <b>Item #:</b> | <b>Description</b>            | <b>Quantity:</b> |
|----------------|-------------------------------|------------------|
| B580122        | 5/8" x 1 1/4" HGR SPLICE BOLT | 12               |
| B580204        | 5/8" X 2" HEX HD. BOLT        | 8                |
| B580754        | 5/8" x 7 1/2" HEX HD. BOLT    | 2                |
| B581004        | 5/8" X 10" HEX HD BOLT        | 2                |
| B581002        | 5/8" x 10" HGR POST BOLT      | 2                |
| N050           | 5/8 HGR NUTS                  | 26               |
| W050           | 5/8 WASHERS                   | 16               |
| N100A          | 1" NUTS                       | 2                |
| W100A          | 1" WASHERS                    | 2                |



**DAT Parts:**



**S730**

Soil Tube

6x8x1/8" x 6'

**UP650**

Universal Timber Post

45"



**G12025TR**

12 / 9' 4-1/2" / 3' 1-1/2"

**DAT-SB**

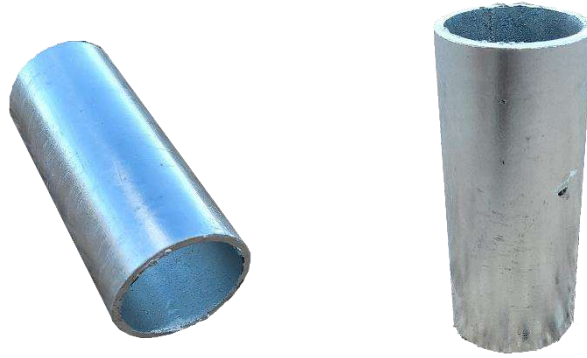
Shelf Angle Bracket



**DAT Parts:**

**E740**

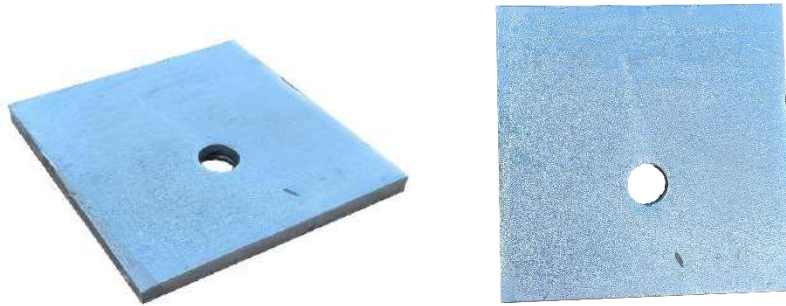
Pipe Sleeve



**E750**

Bearing Plate

5/8" x 8" x 8"



**D760**

Cable Anchor Bracket



**E770**

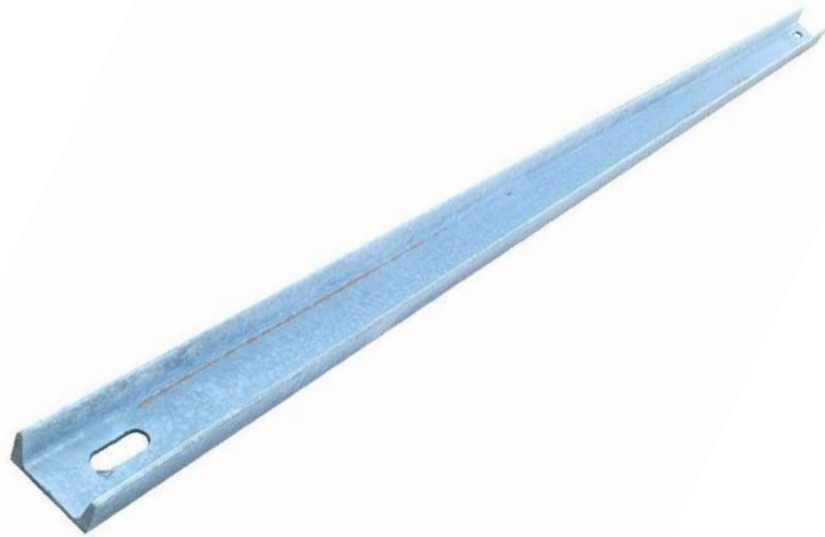
Cable Assembly



**DAT Parts:**

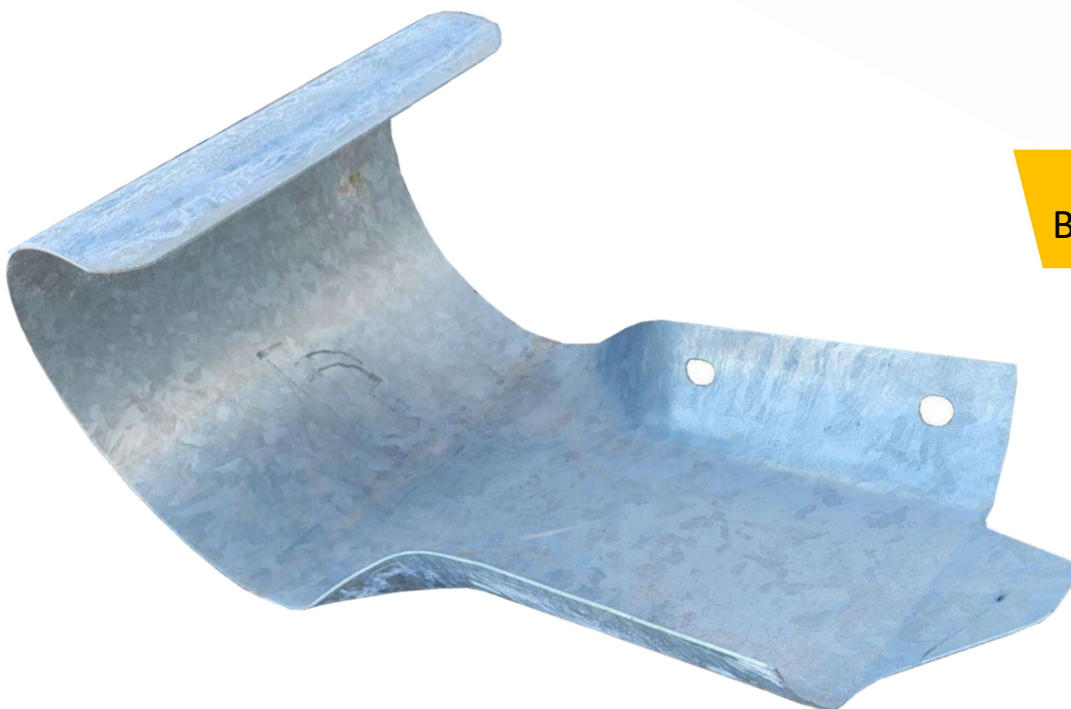
**D780**

Channel Strut



**T503**

Buffered End Section





# Hardware

## DAT Hardware:

| Picture:  | Part #: | Description:                  | Quantity: |
|---|---------|-------------------------------|-----------|
|    | B580122 | 5/8" x 1 1/4" HGR SPLICE BOLT | 12        |
|    | B580204 | 5/8" X 2" HEX HD. BOLT        | 8         |
|   | B580754 | 5/8" x 7 1/2" HEX HD. BOLT    | 2         |
|  | B581004 | 5/8" X 10" HEX HD BOLT        | 2         |
|  | B581002 | 5/8" x 10" HGR POST BOLT      | 2         |
|  | N050    | 5/8 HGR NUTS                  | 26        |
|  | W050    | 5/8 WASHERS                   | 16        |
|  | N100A   | 1" NUTS                       | 2         |
|  | W100A   | 1" WASHERS                    | 2         |



# Contact Us

If you have any questions or need to place an order, don't hesitate to contact our office.

Phone: (432) 263-3725

Fax: (432) 267-4039

Email:

[info@interstatesteeltexas.com](mailto:info@interstatesteeltexas.com)

[www.interstatesteeltexas.com](http://www.interstatesteeltexas.com)



Kothmann Enterprises  
DBA Interstate Steel  
3616 Old Howard County Airport  
Big Spring, TX 79720