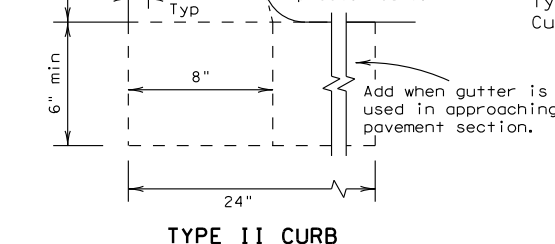
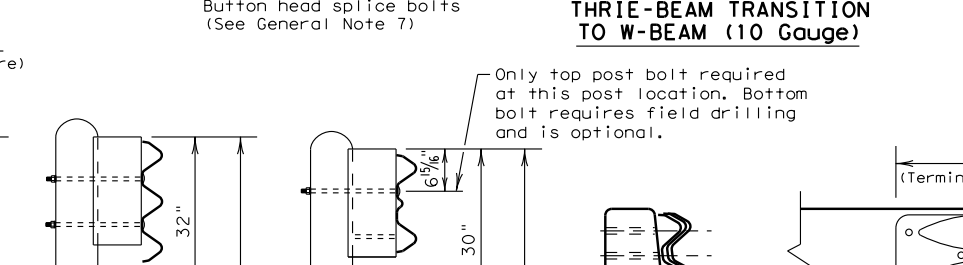
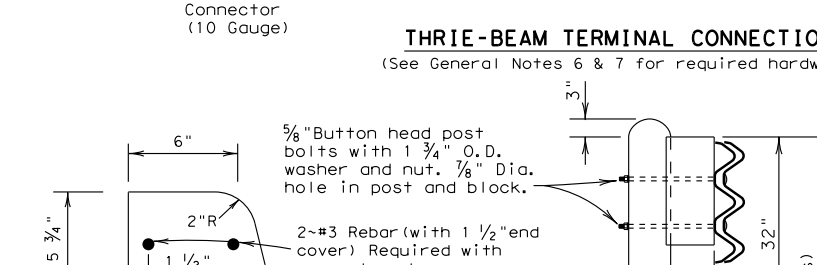
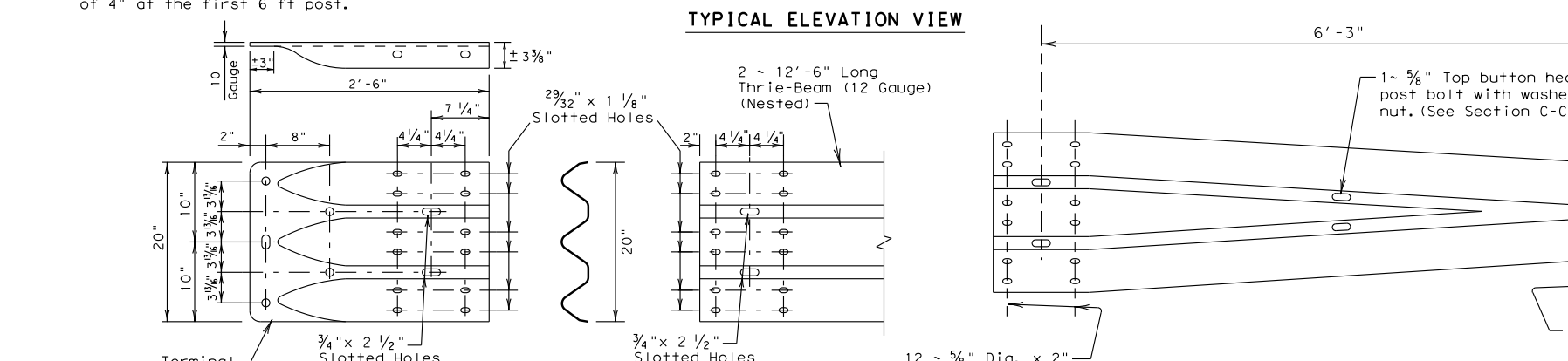
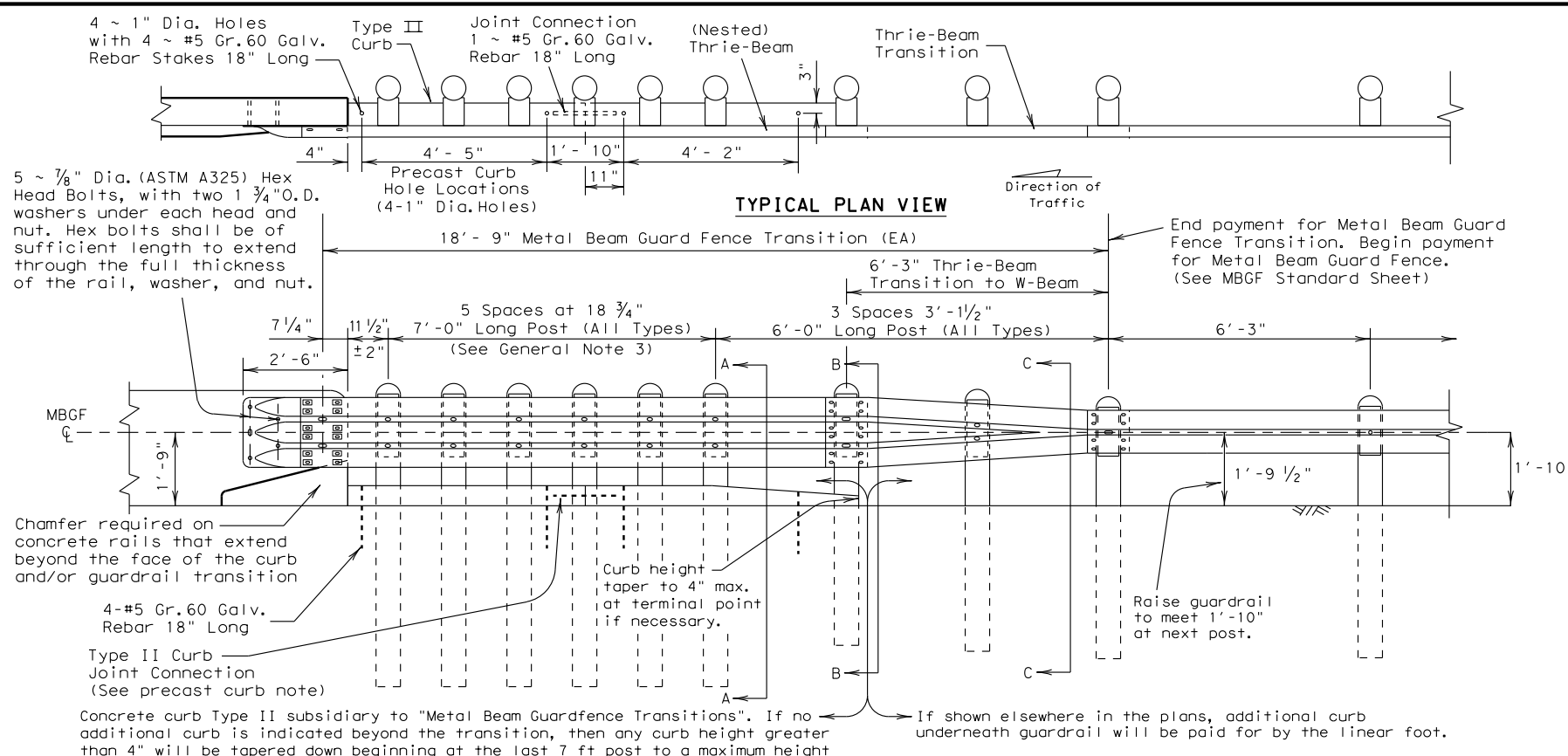
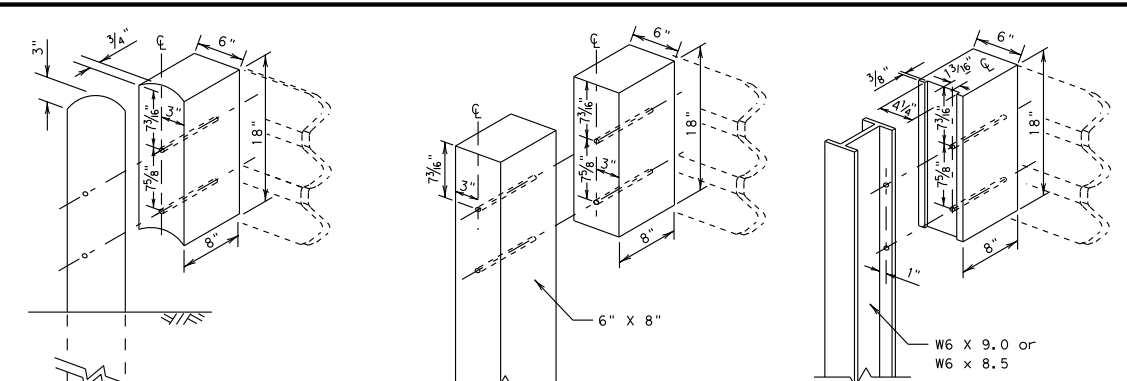
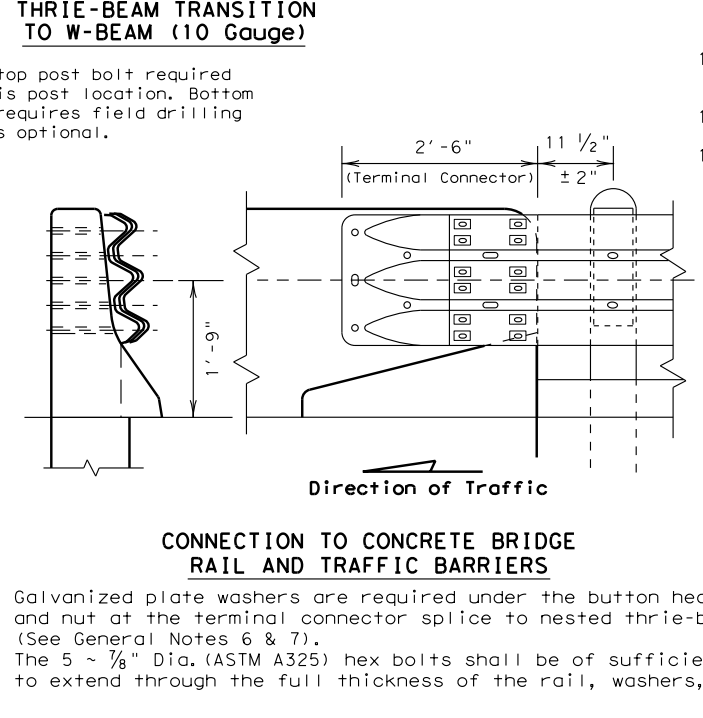
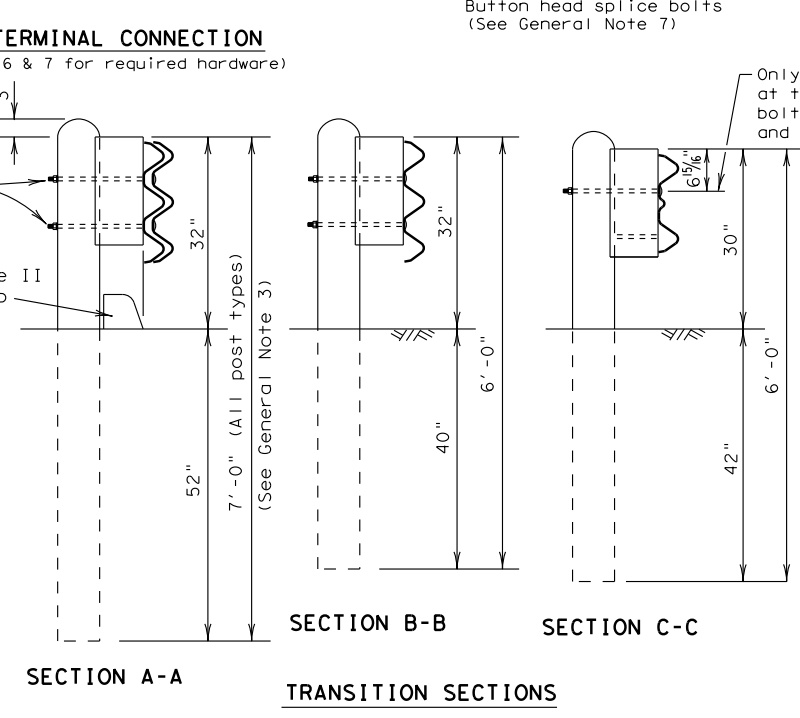


DISCLAIMER: The use of this standard is governed by the "Texas Engineering Practice Act". No warranty of any kind is made by TxDOT for any purpose whatsoever. TxDOT assumes no responsibility for the conversion of this standard to other formats or for incorrect results or damages resulting from its use.

DATE: FILE:



**PRECAST CURB:** Type II Precast Curb secured with 4-#5 Gr.60 Galv. Rebar stakes 18" long. The 12' - 2" section of curb may be cast in two sections. Section 1 5' - 8" long. Section 2 6' - 6" long with the last 3' - 6" of curb tapered to a 4" height. The Joint Connection is two 9" long 1" dia female ends connected with 1-#5 Gr.60 Galv. Rebar 18" long.



**WOOD BLOCK TO RECTANGULAR WOOD POST**  
**WOOD BLOCK TO STEEL POST**

**GENERAL NOTES**

- Concrete curb may be cast-in-place or precast as shown on this sheet. When used in conjunction with thrie-beam guard fence transitions, curb shall be Type II (Typically 5 3/4" height above surface; See CCCC standard sheet) unless otherwise shown in the plans. If other curb heights are shown in the plans in conjunction with the transition, the curb height may be from 4" to 8" with a relatively vertical face. Concrete curb shall be continuous to the seventh post.
- Contact the Design Division for drainage cut options needed within the curb section of the transition.
- The type of post (round wood, rectangular wood or steel) will be shown elsewhere in the plans.
- The post length shall be marked on all 7' - 0" long posts by the Manufacturer. The mark shall be located within the top 1 ft. region of the post, at least 5/8" in height, and visible after installation. Wooden posts shall be marked with a brand, and steel posts with a stencil before galvanizing.
- Rail element shall meet the requirements of Item 540, "Metal Beam Guard Fence" except as modified on the plans. The thrie-beam terminal connector and the thrie-beam transition to w-beam shall be of the same material, but shall not be less than 10 gauge.
- Contractor shall verify that the locations of bolt holes in the thrie-beam terminal connector prior to ordering materials.
- Unless otherwise shown in the plans, transitions shall be placed with the block face in front of or directly above the curb face.
- Galvanized washers used with the 5/8" dia. post bolts shall be Type A 1 3/4" O.D. washers. The (24) plate washers required at the terminal connector splice are 1 3/4" x 3" x 3/16" plate washers with a 1/16" x 1" hole.
- Button head "post" bolts (ASTM A307) shall be of sufficient length to extend through the full thickness of the nut (ASTM A563) and washer and not more than 1" beyond it. Button head "splice" bolts (ASTM A307) 5/8" Dia. x 2" (at triple rail splices) with 5/8" double recessed nuts.
- Fittings (bolts, nuts, and washers) shall be galvanized in accordance with Item 445, "Galvanizing". Fittings shall be subsidiary to the bid item.
- Crown shall be widened to accommodate transitions.
- If solid rock is encountered. See the MBSGF standard sheet for the proper installation guidance.
- Posts shall not be set in concrete.
- Unless otherwise shown in the plans, a composite material post and/or block that meets the requirements of DMS-7210, "Composite Material Posts and Blocks for Metal Beam Guard Fence" may be substituted for posts and/or blocks of similar dimensions. The Construction Division, TxDOT, maintains a Material Producer List (MPL) for producers of materials conforming to DMS-7210. Only producers on the MPL can furnish composite material posts and/or blocks.

**Texas Department of Transportation** Design Division Standard

## METAL BEAM GUARD FENCE TRANSITION (Thrie-Beam Transition) MBSGF (TR) - 11

FILE: mbsgftr11.dgn	DN: TxDOT	CK: AM	DW: BD	CK: VP
© TxDOT December 2001	CONT	SECT	JOB	HIGHWAY
REVISIONS				
12-2011	DIST	COUNTY	SHEET NO.	